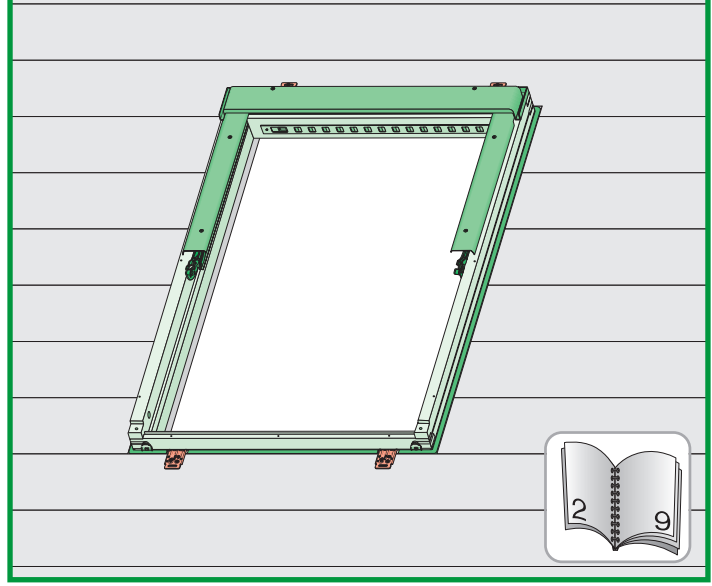


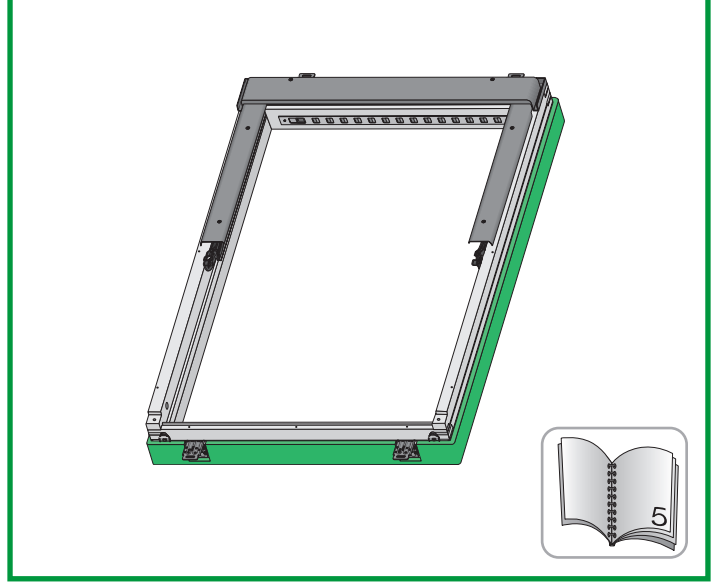
Lined writing area for notes.



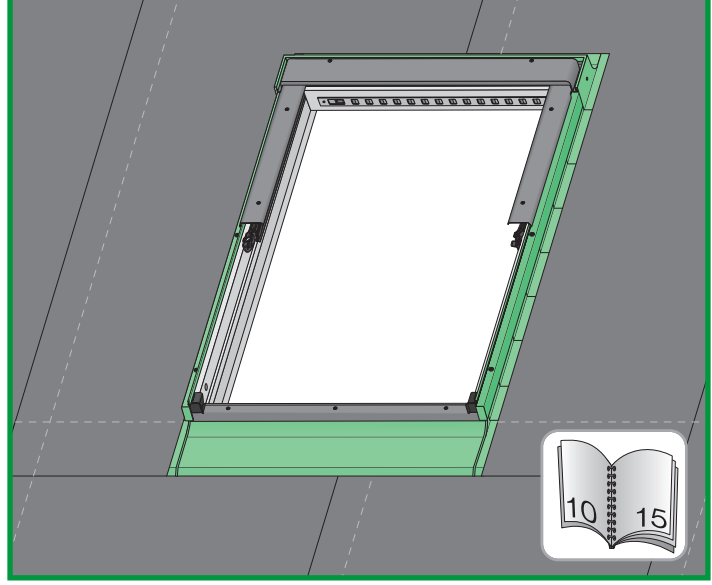
FTU-V

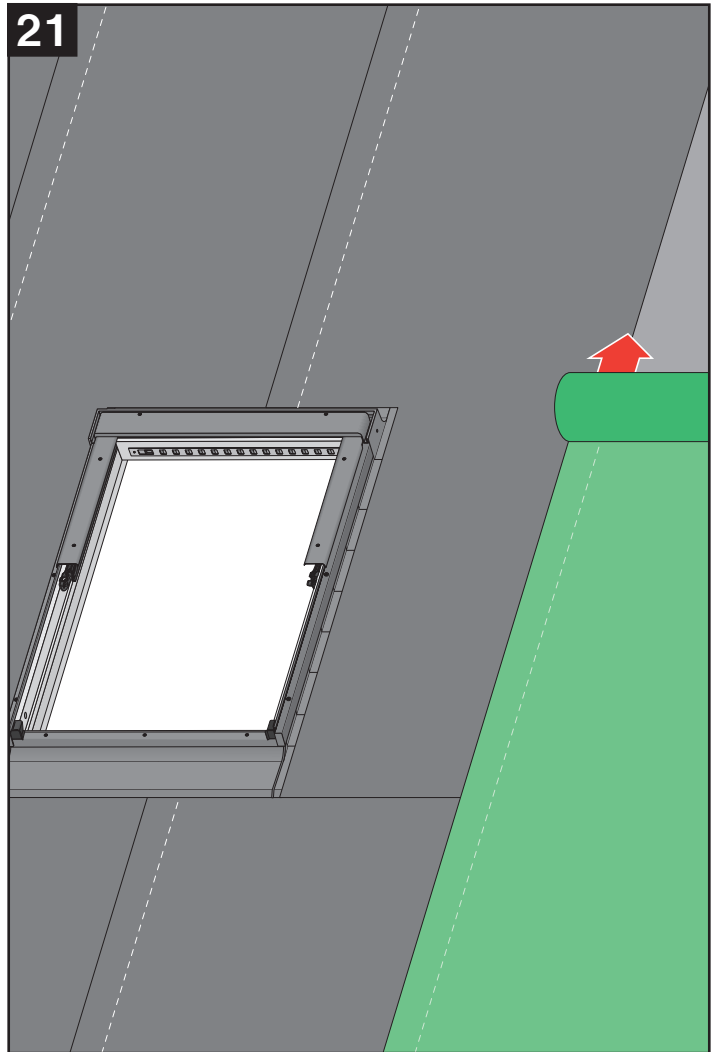
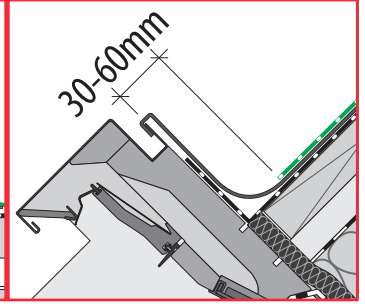
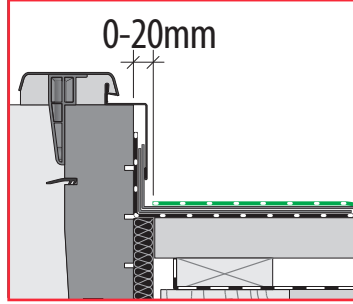
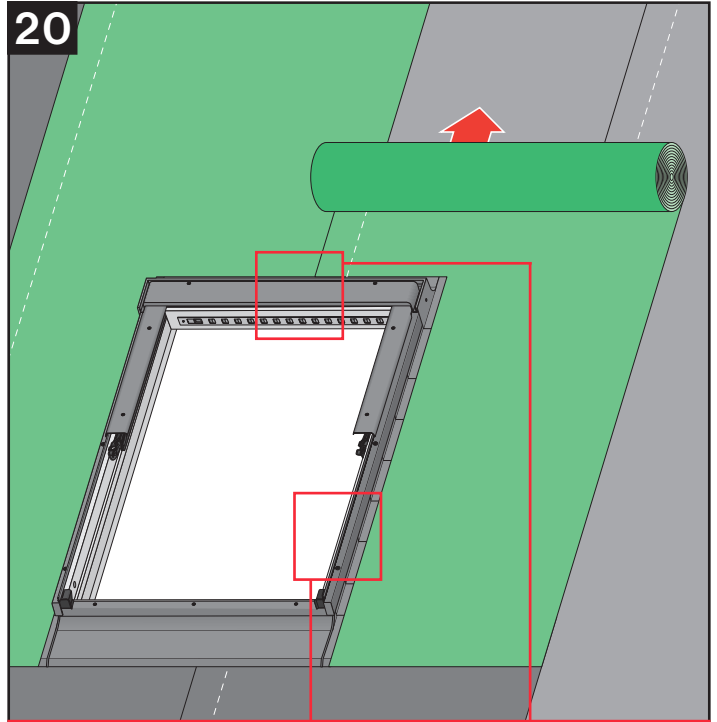
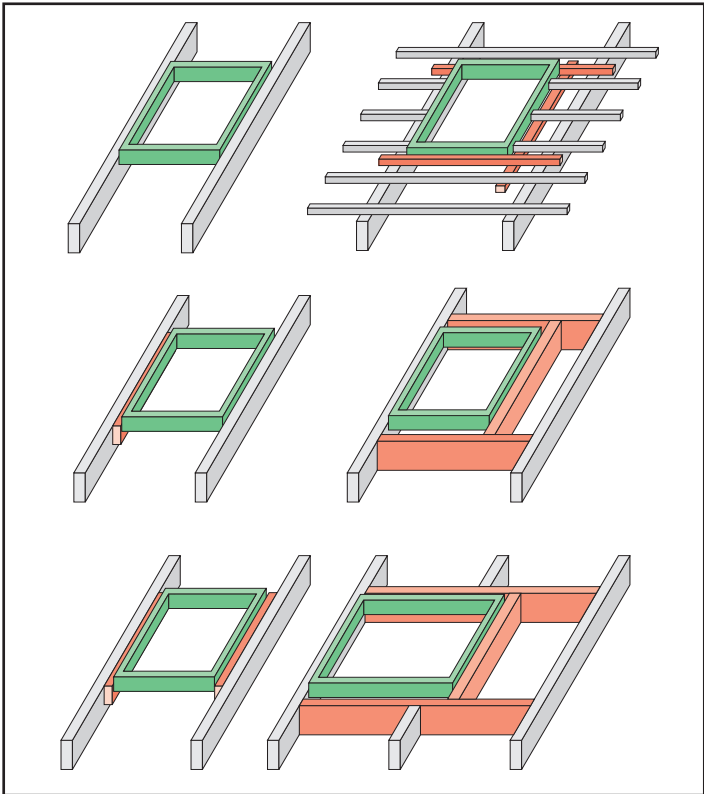
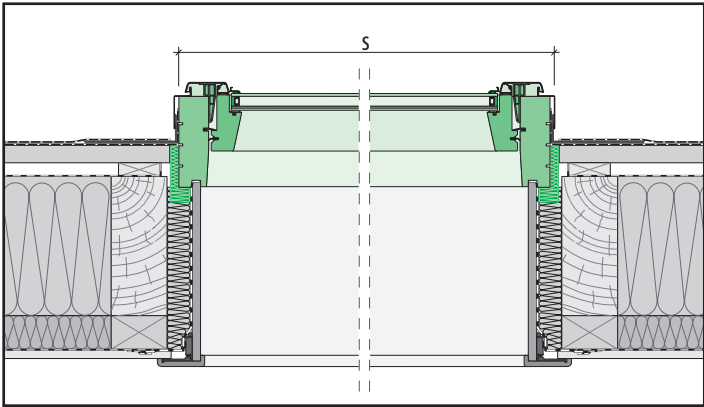
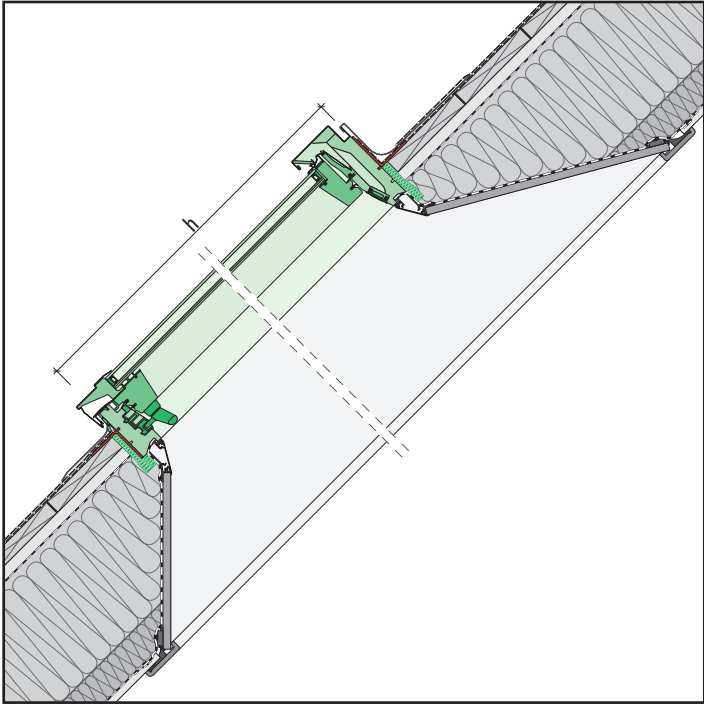
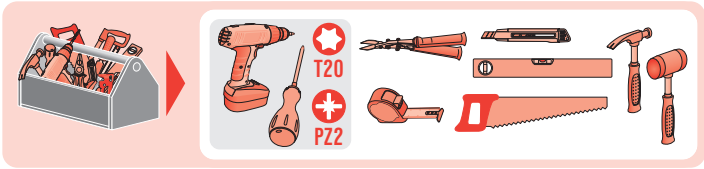


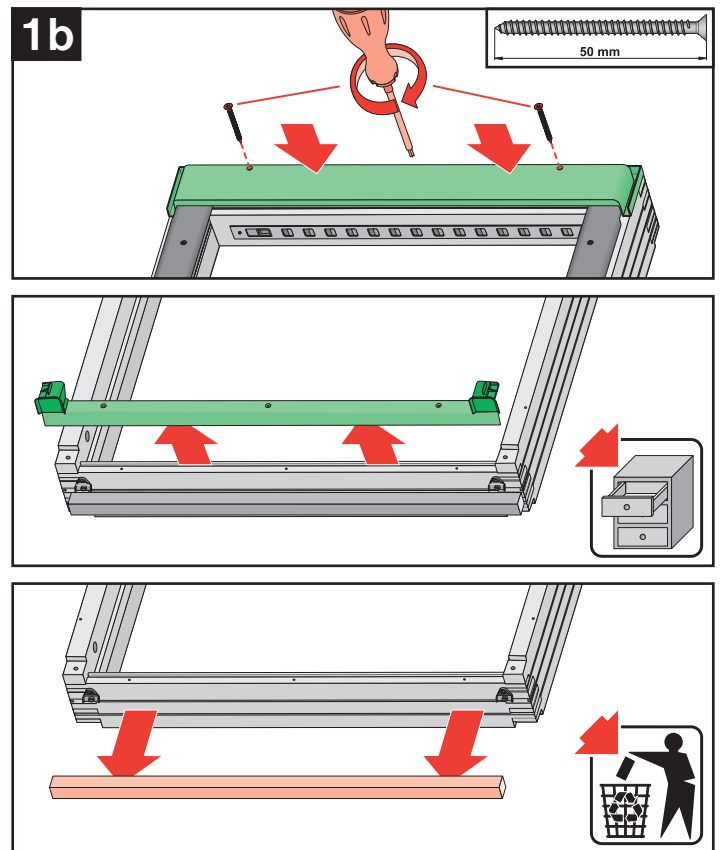
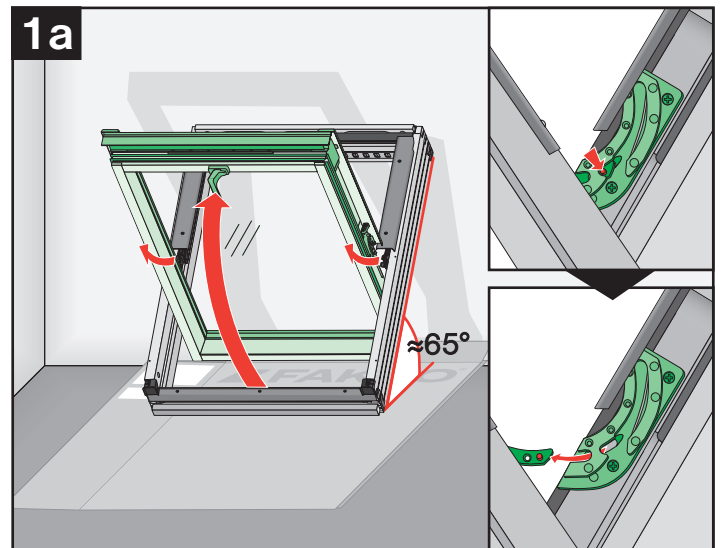
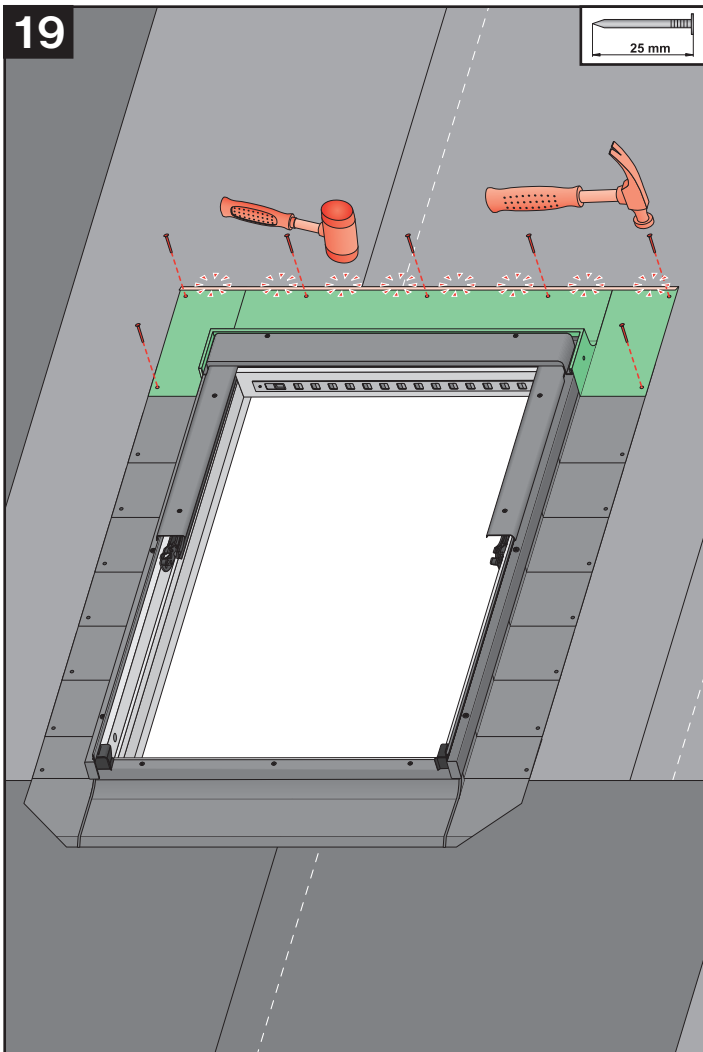
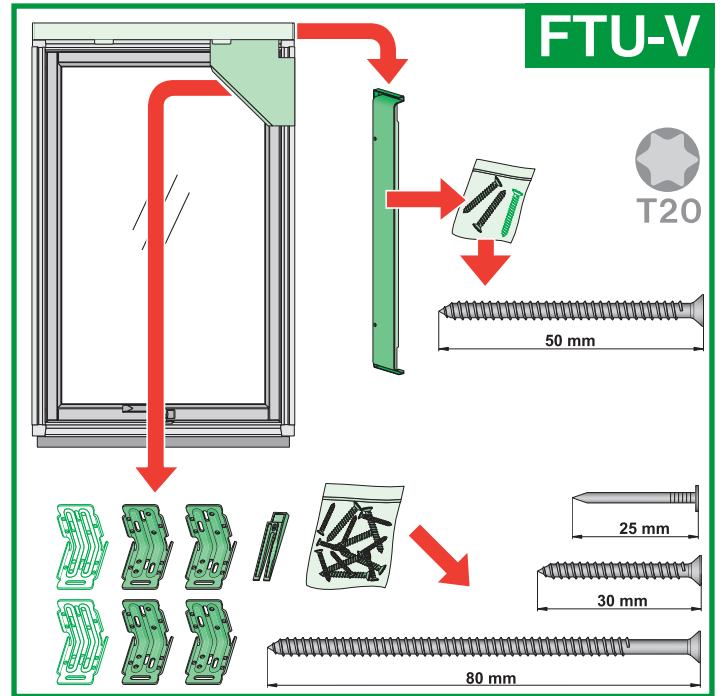
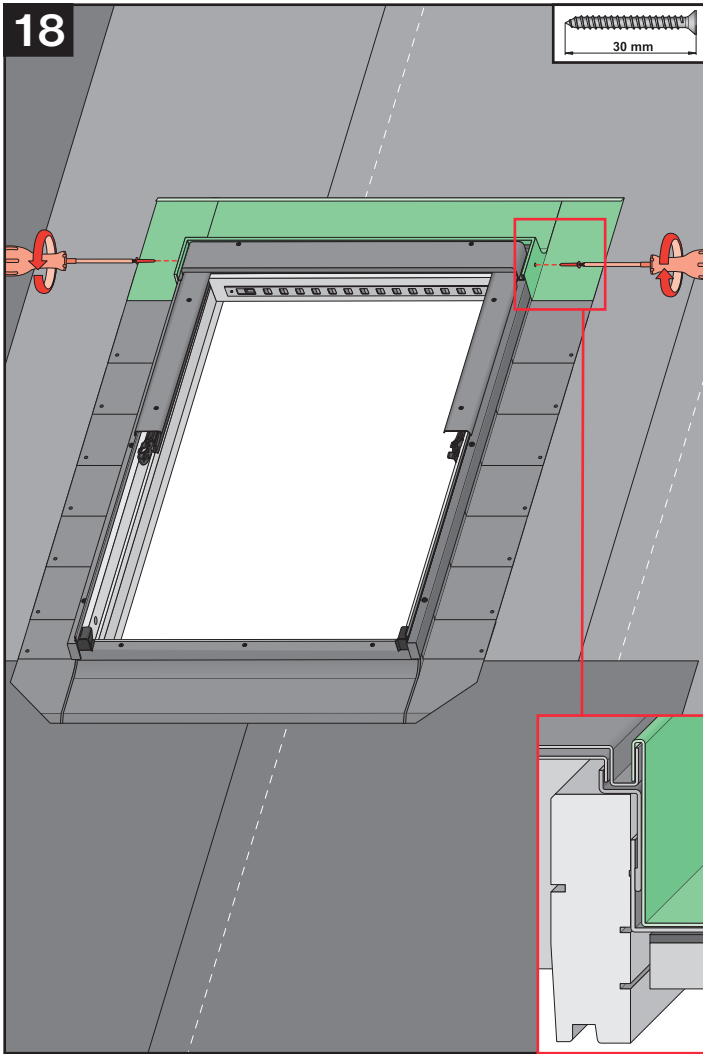
XWT

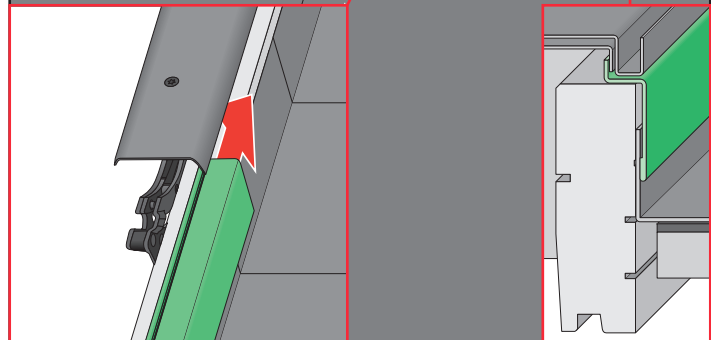
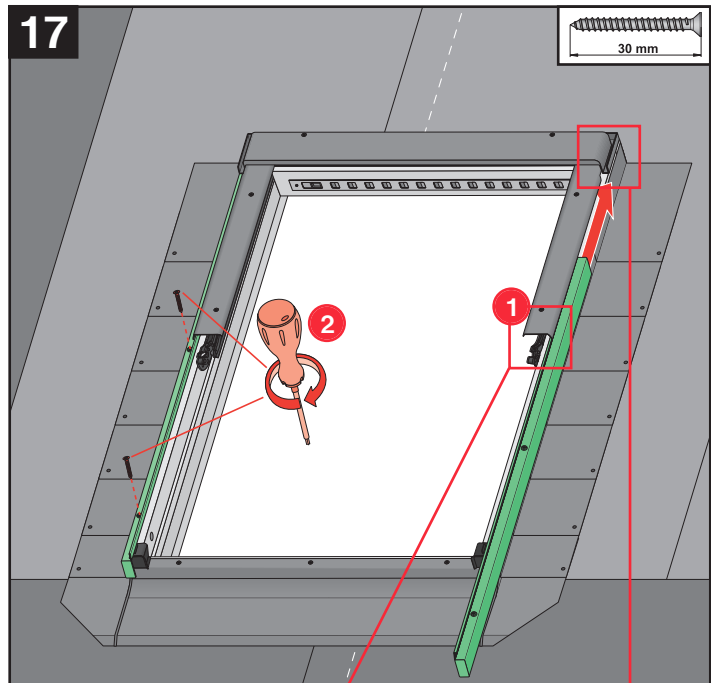
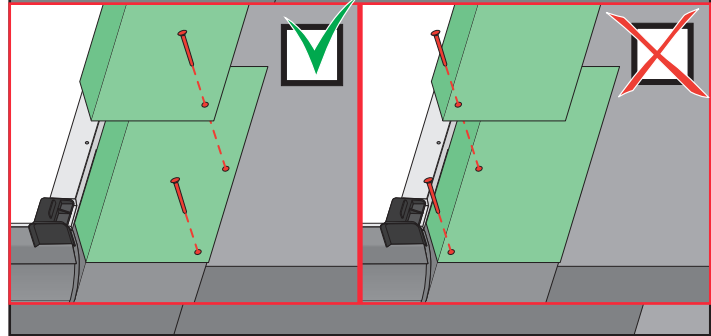
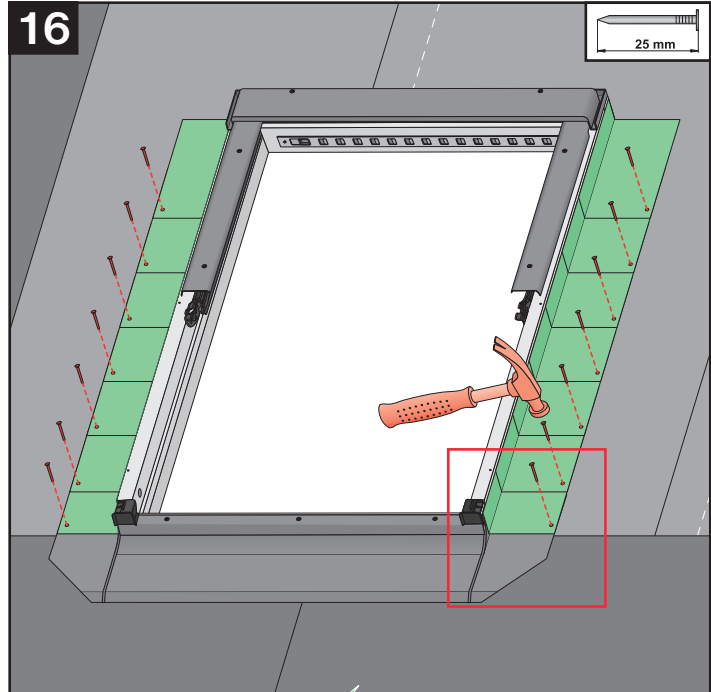
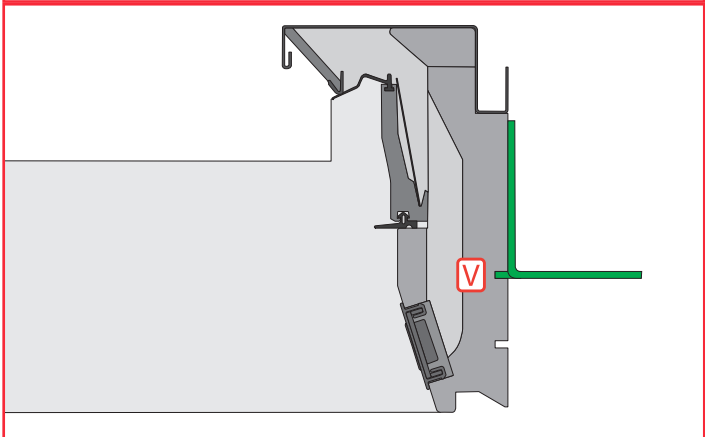
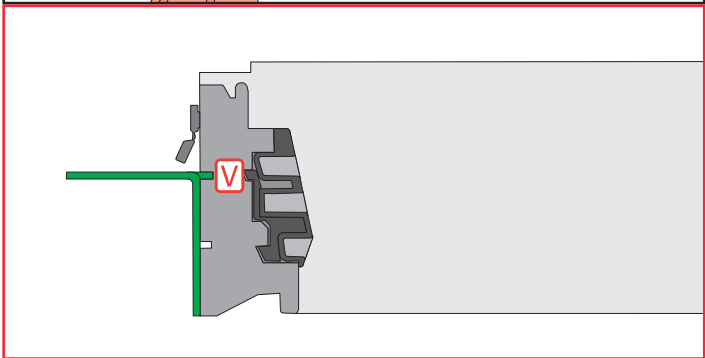
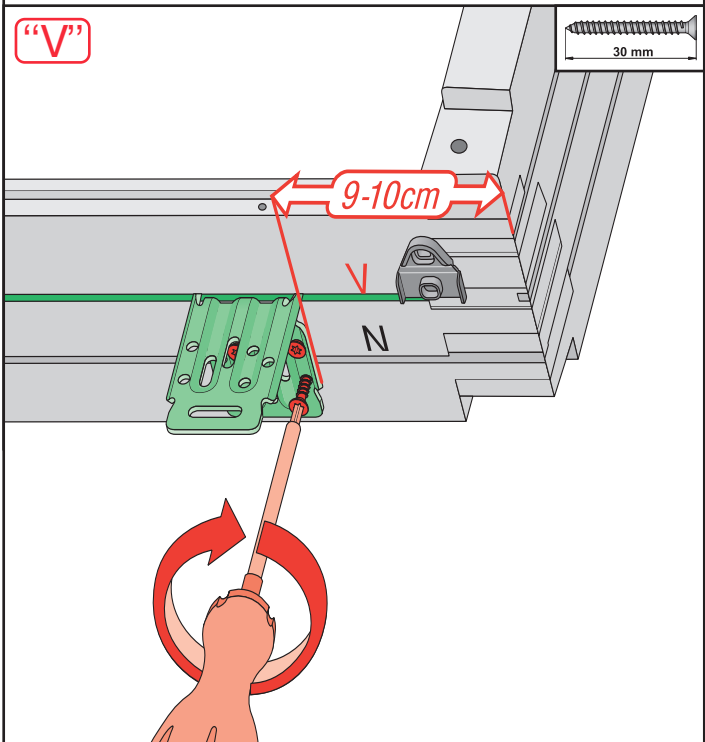
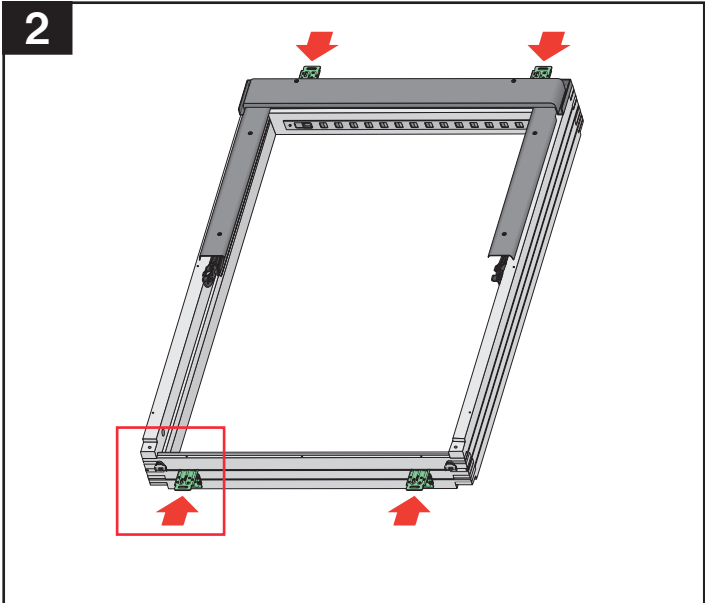


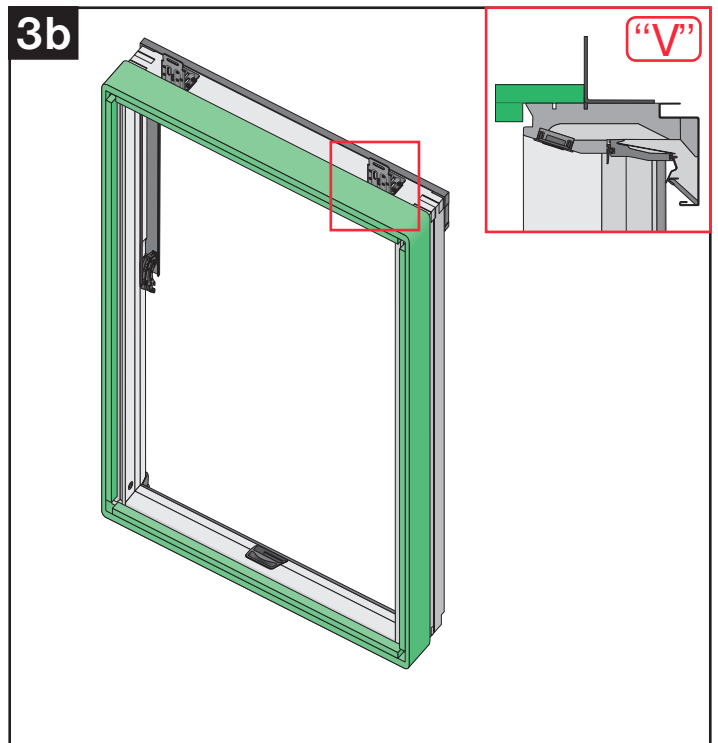
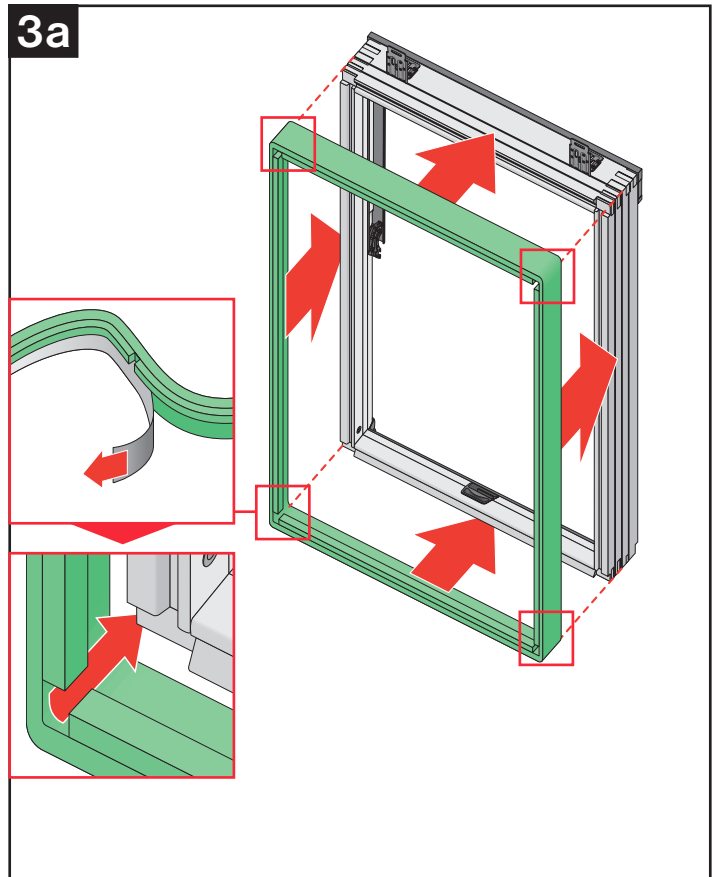
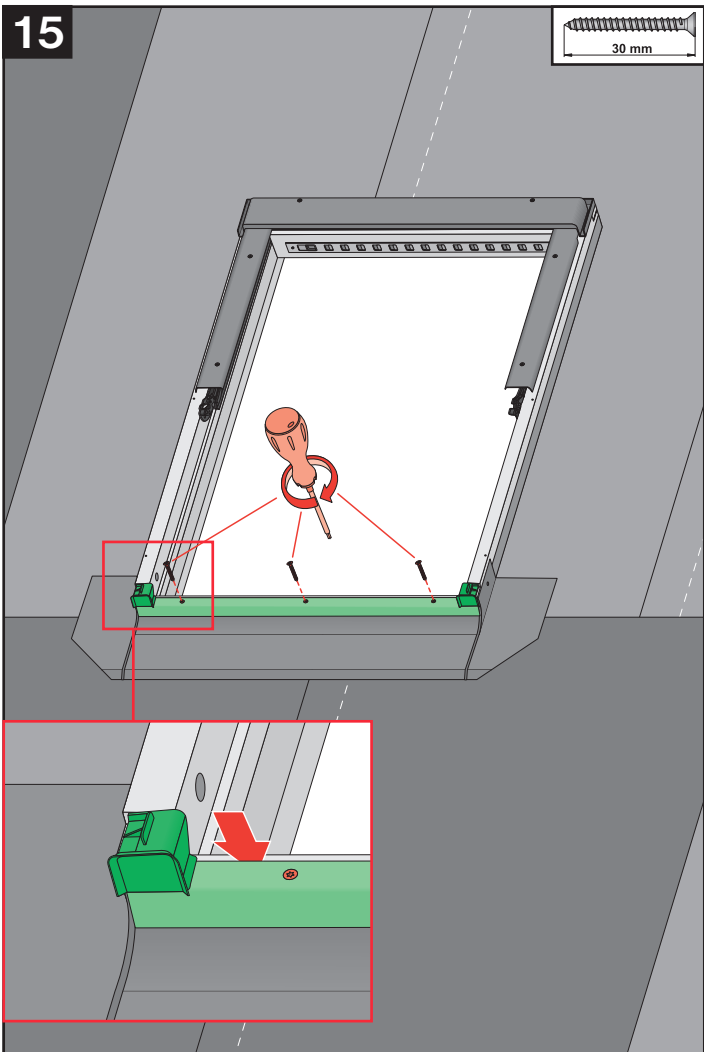
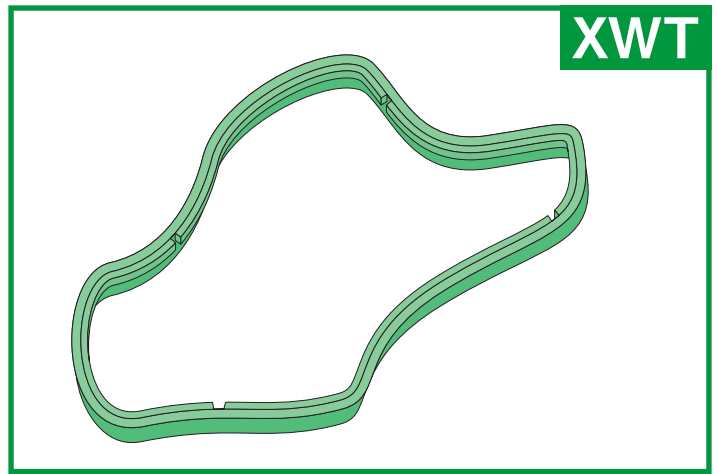
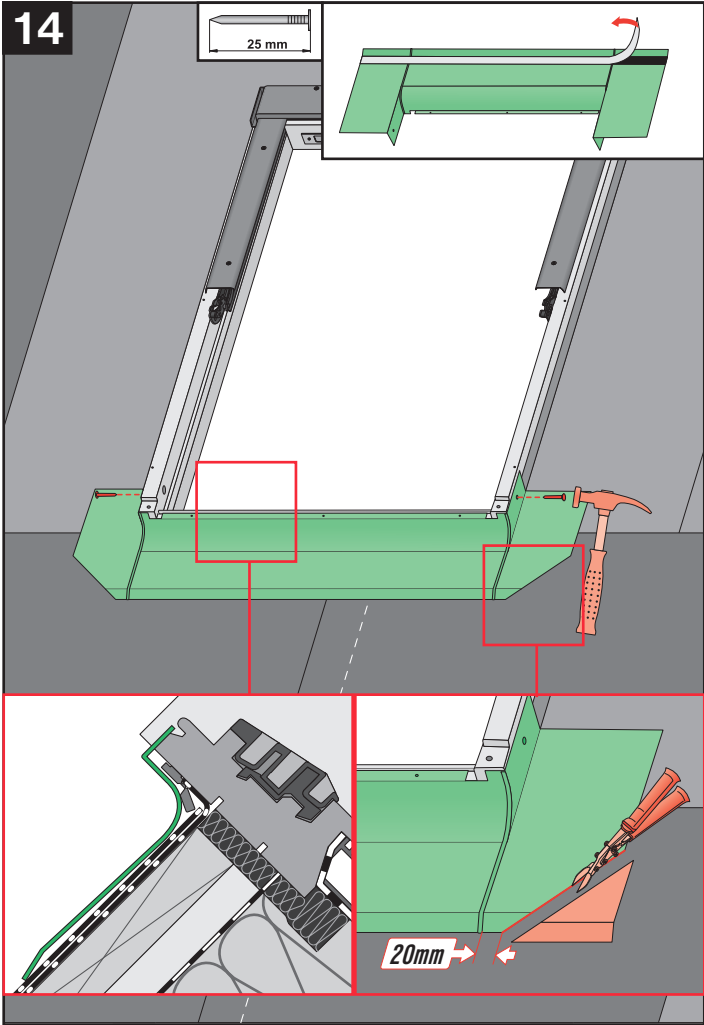
ELV



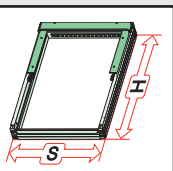
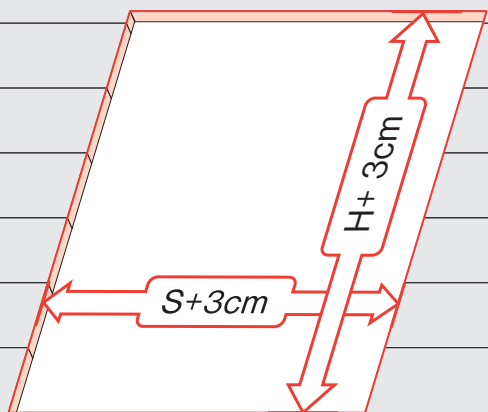




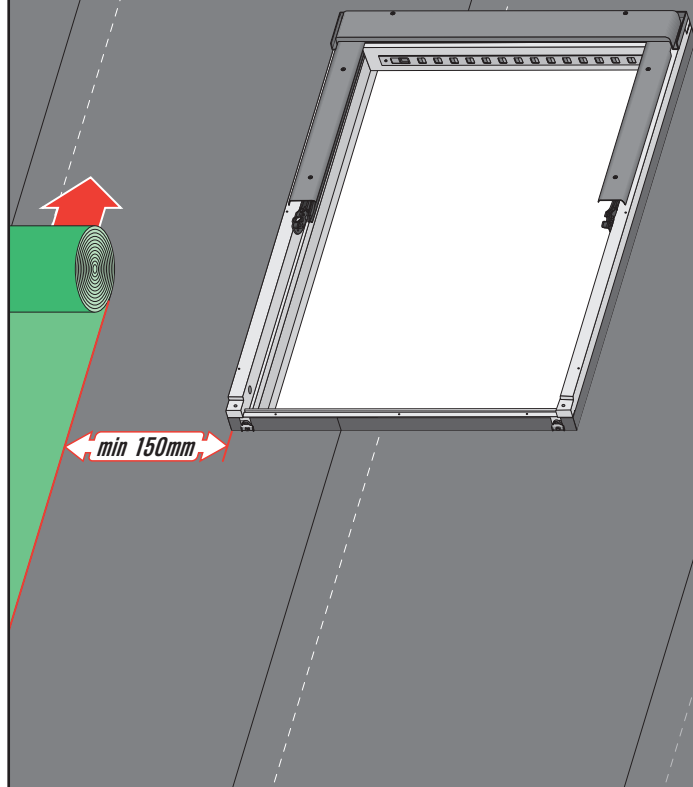




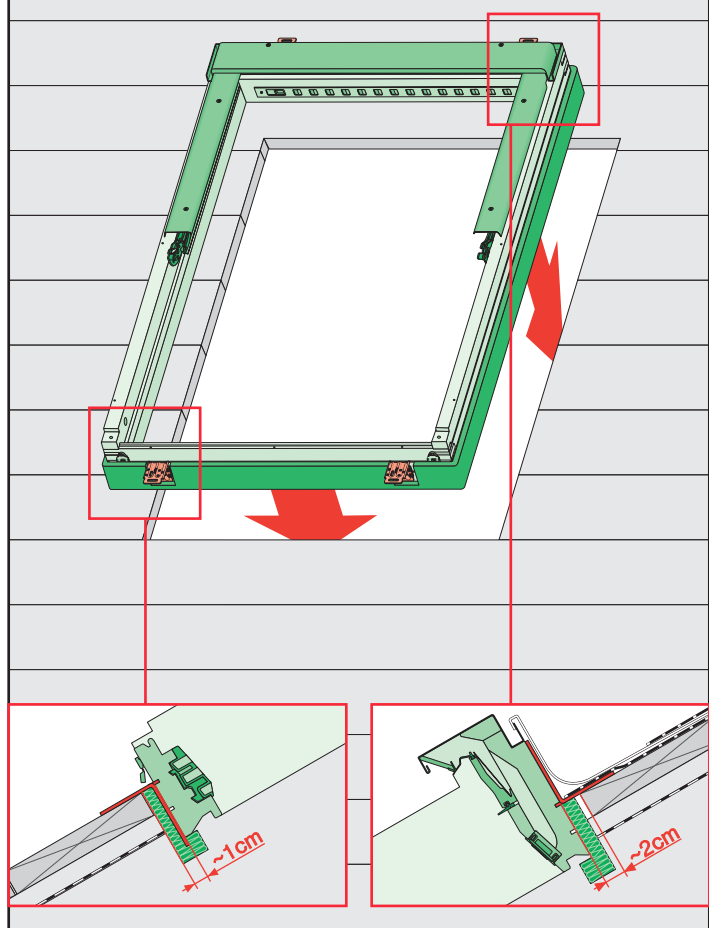
4



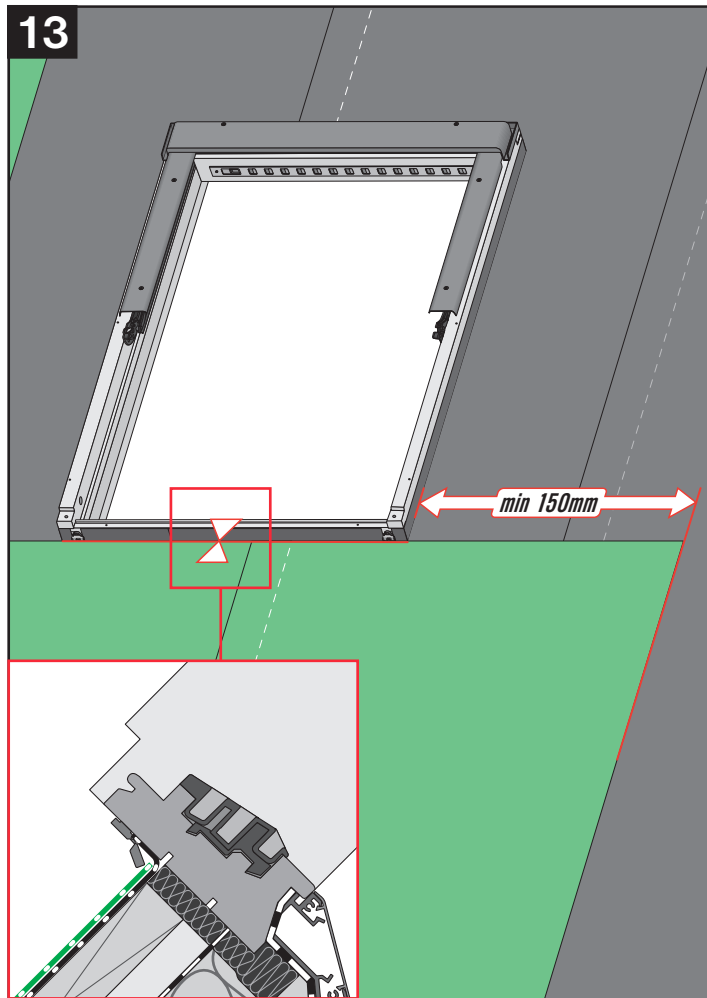
12



5a

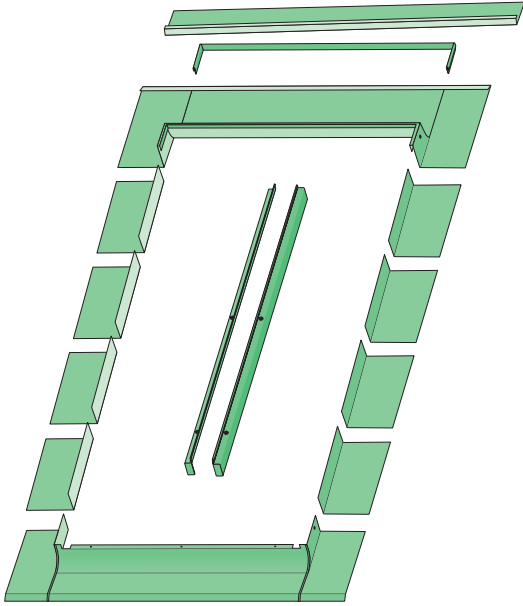


13



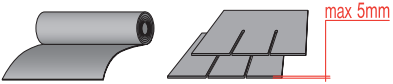
T20

ELV



25 mm

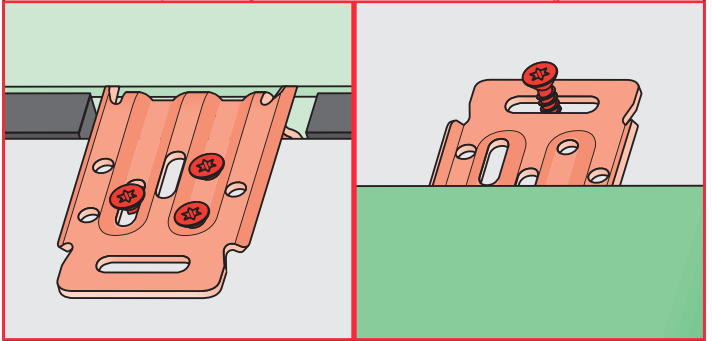
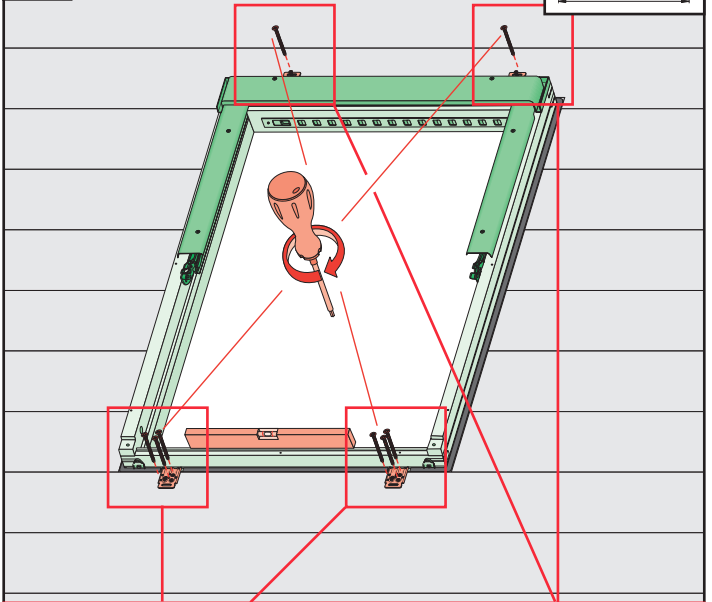
30 mm



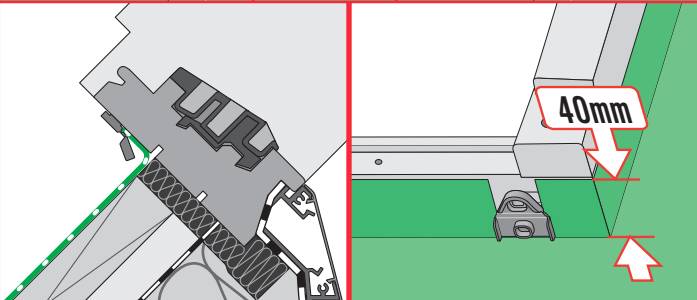
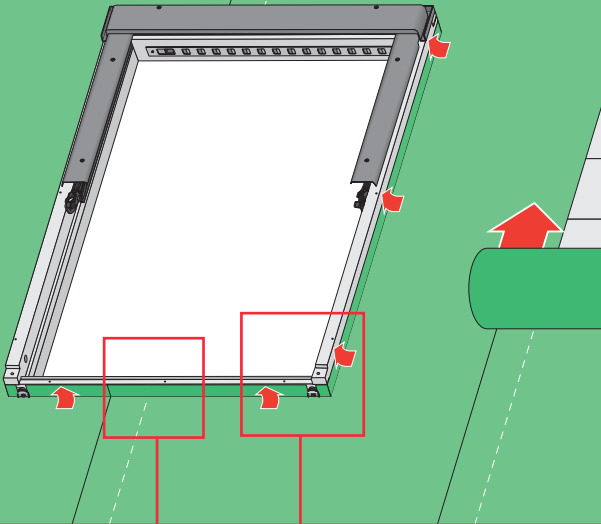
ELV

5b

30 mm

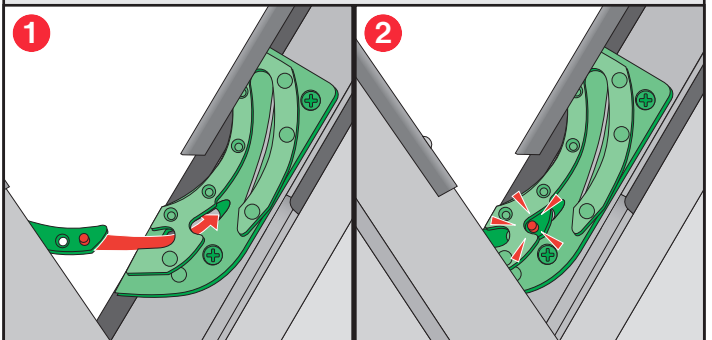
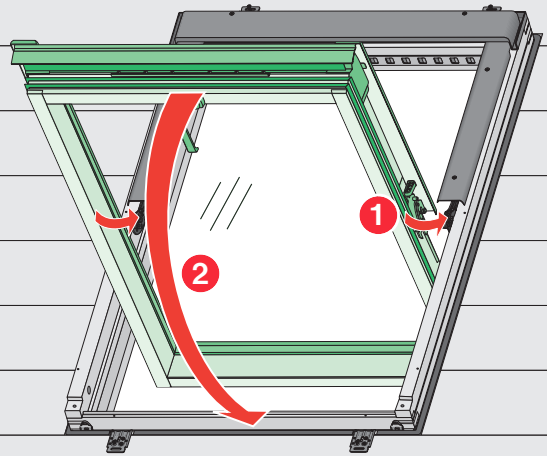


11



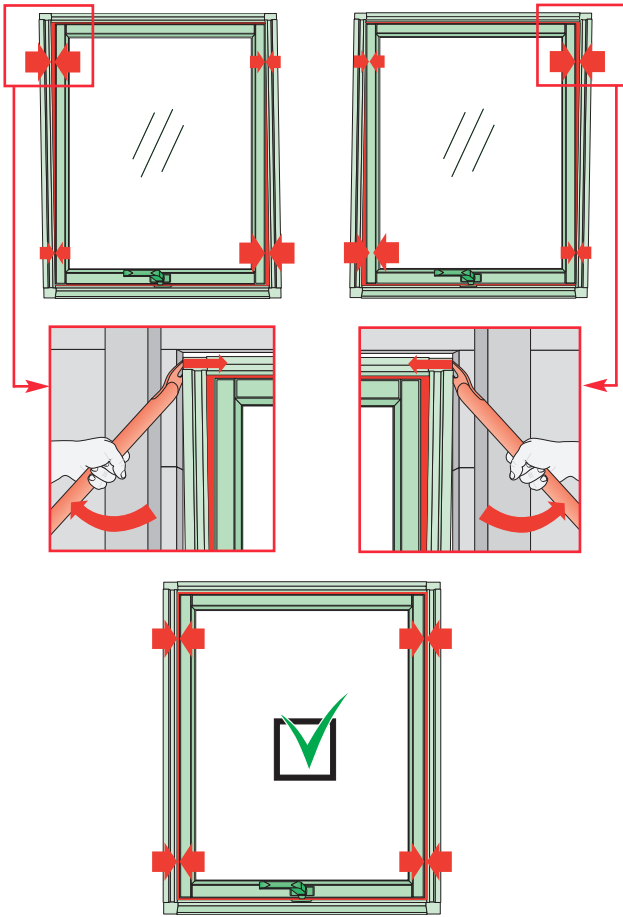
10

6

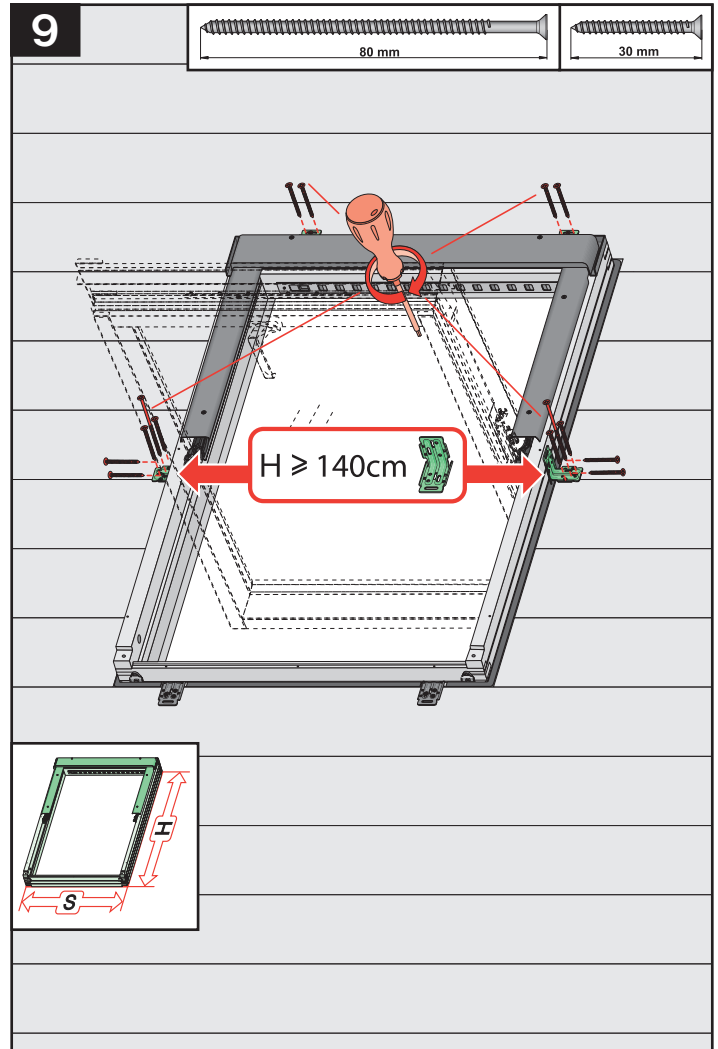


7

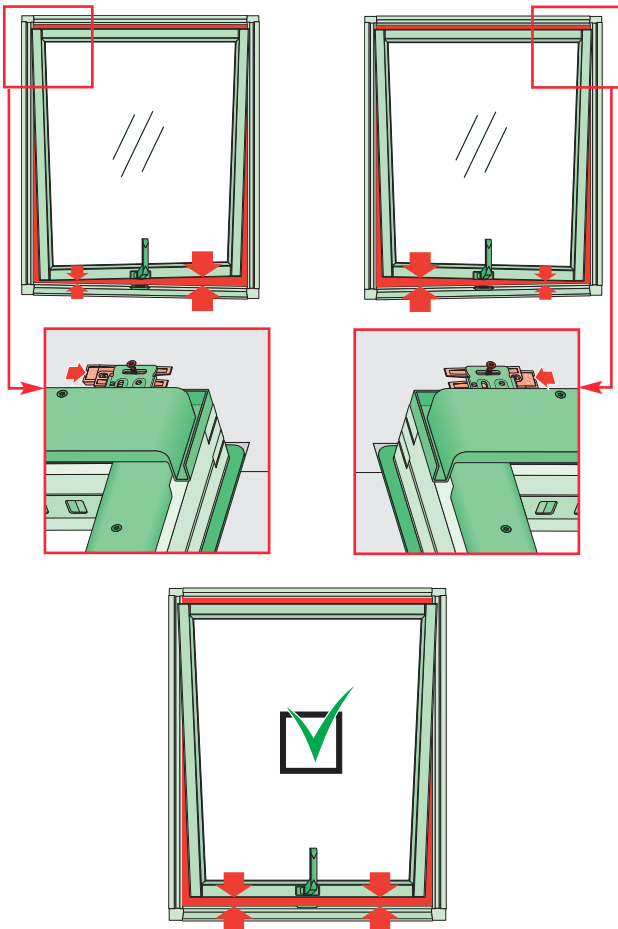
7



9



8



10

